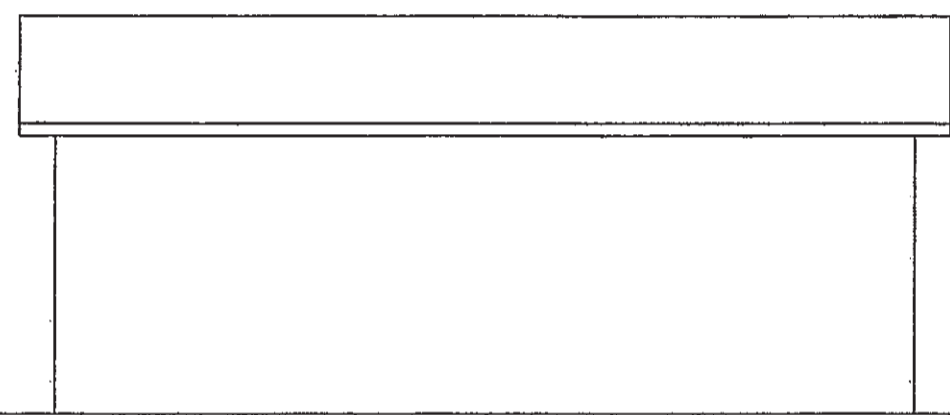
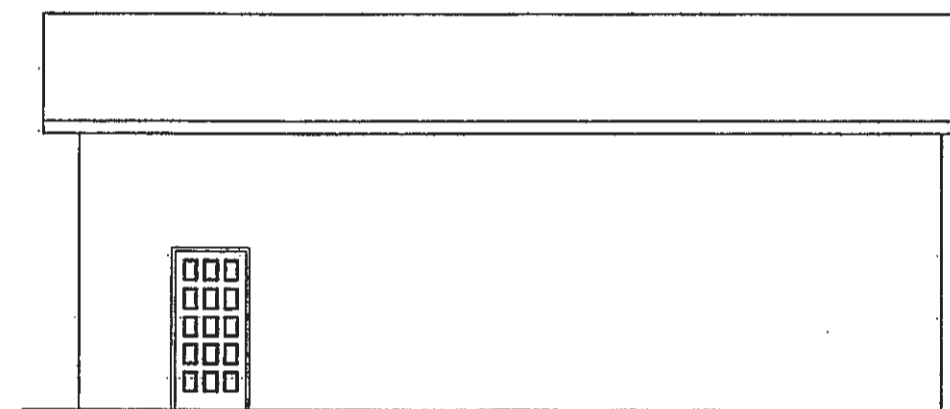


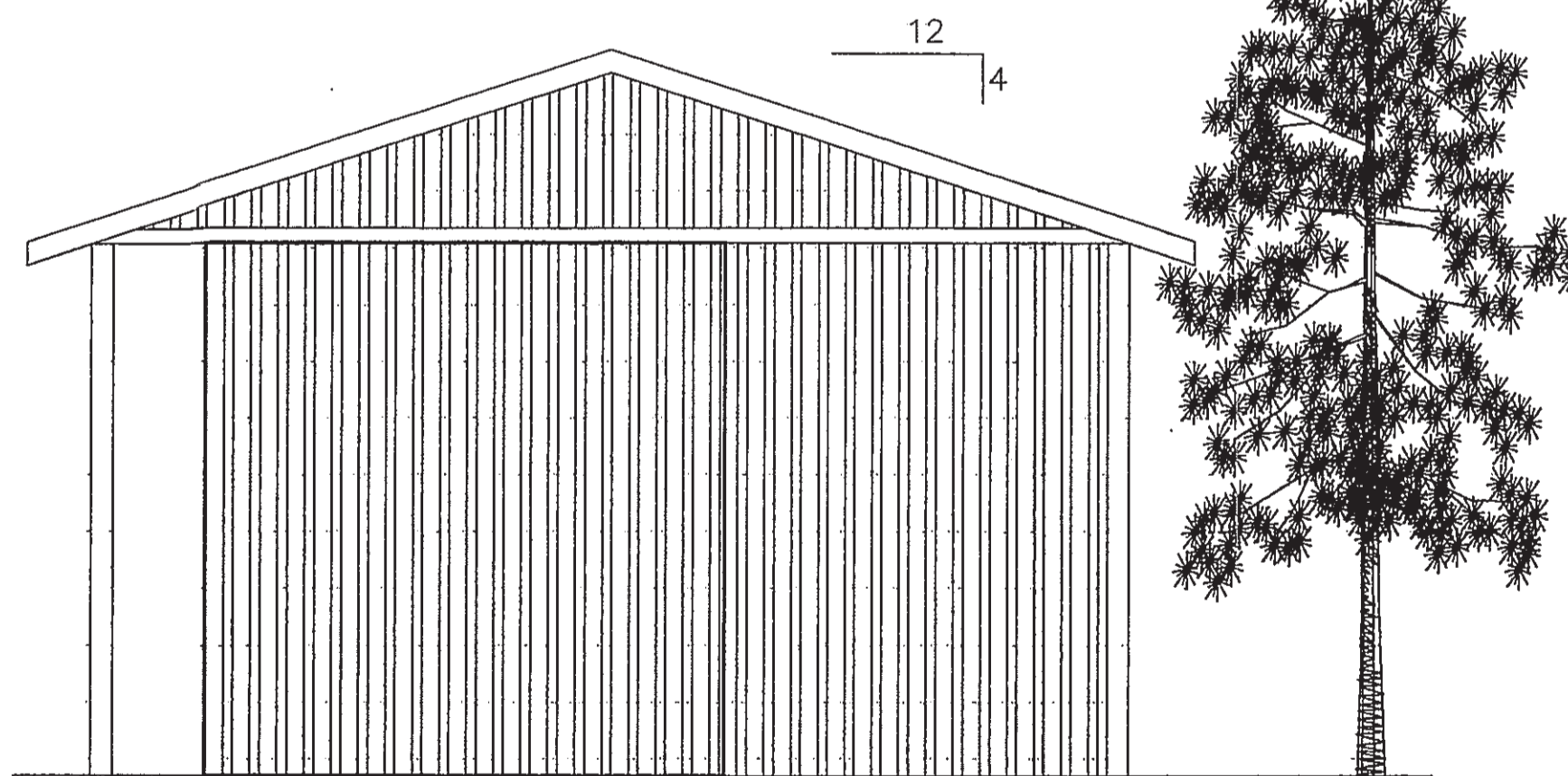
REAR ELEV.  
SCALE ~ 1/8"=1'-0"



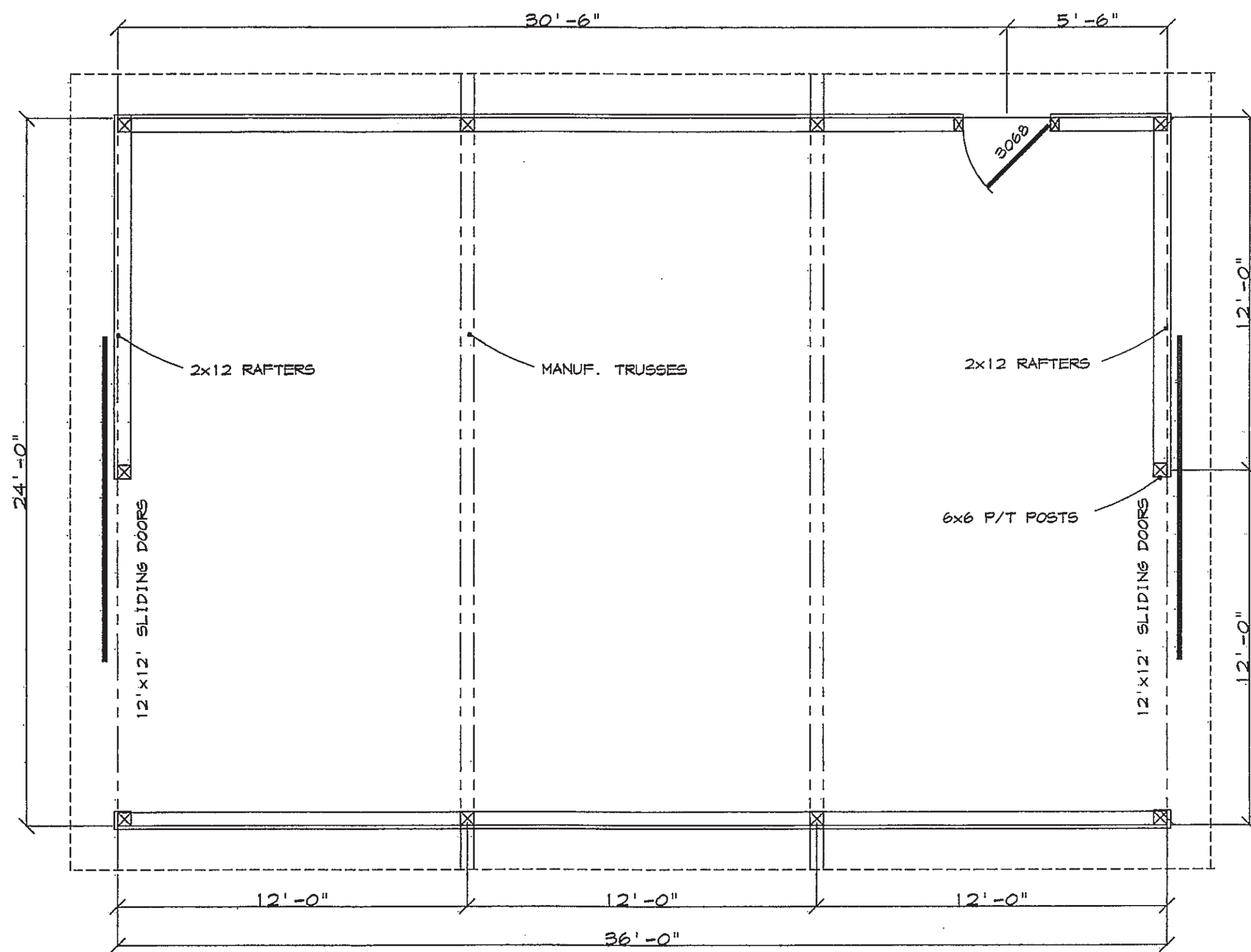
LEFT ELEV.  
SCALE ~ 1/8"=1'-0"



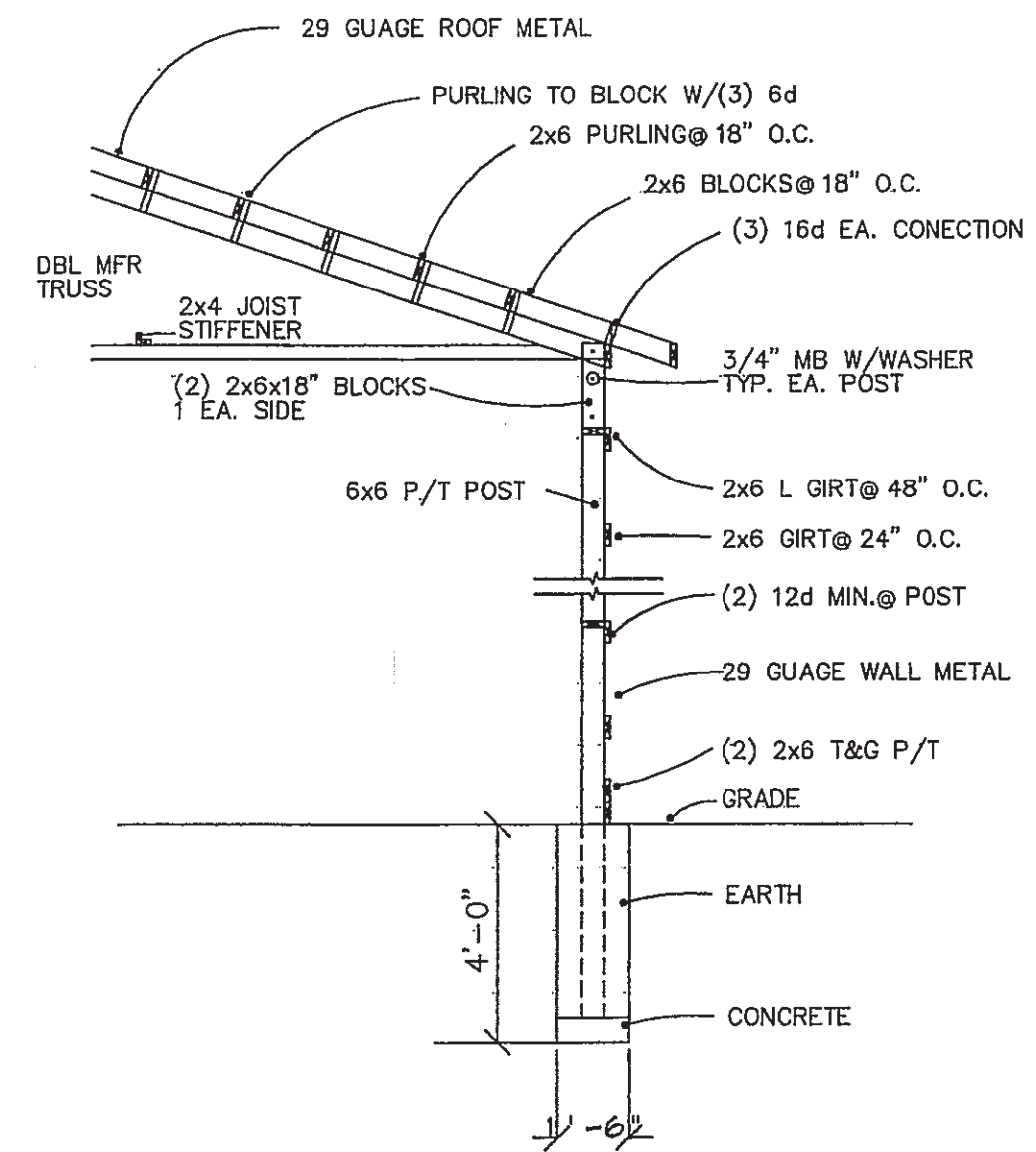
RIGHT ELEV.  
SCALE ~ 1/8"=1'-0"



FRONT ELEV.  
SCALE ~ 1/4"=1'-0"



FLOOR PLAN  
SCALE ~ 1/4"=1'-0"



TYP. SECTION  
SCALE ~ 1/4"=1'-0"



Eatonville  
388 Center St. E.  
PH: 360.832.3424  
FAX: 360.832.3454

Buckley  
28280 HWY 410 E.  
PH: 360.829.9049  
FAX: 360.829.4174

Port Orchard  
6100 Bethel Rd. E.  
PH: 360.876.2903  
FAX: 360.876.2924

Randle  
105 Peters Cr. Rd.  
PH: 360.497.3511  
FAX: 360.497.7049

Orting  
201 Calistoga St. W.  
PH: 360.893.2200  
FAX: 360.893.2303

Port Townsend  
8457 SR 20  
PH: 360.385.9474  
FAX: 360.379.2872

Plan  
2436PB12

SHEET 2  
OF 2 SHTS