

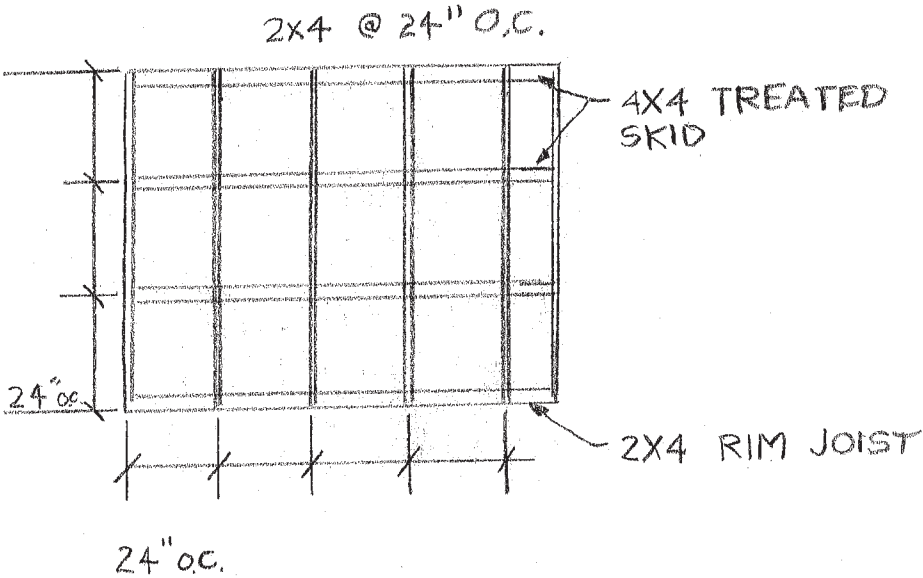


ADDOW

LUMBER & HARDWARE

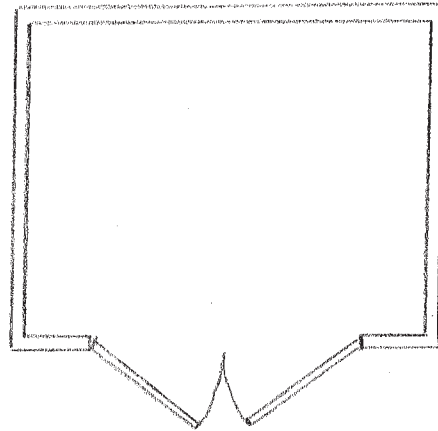
"HOME of LEGENDARY SERVICE"

GABLE SHED PLAN



FOUNDATION

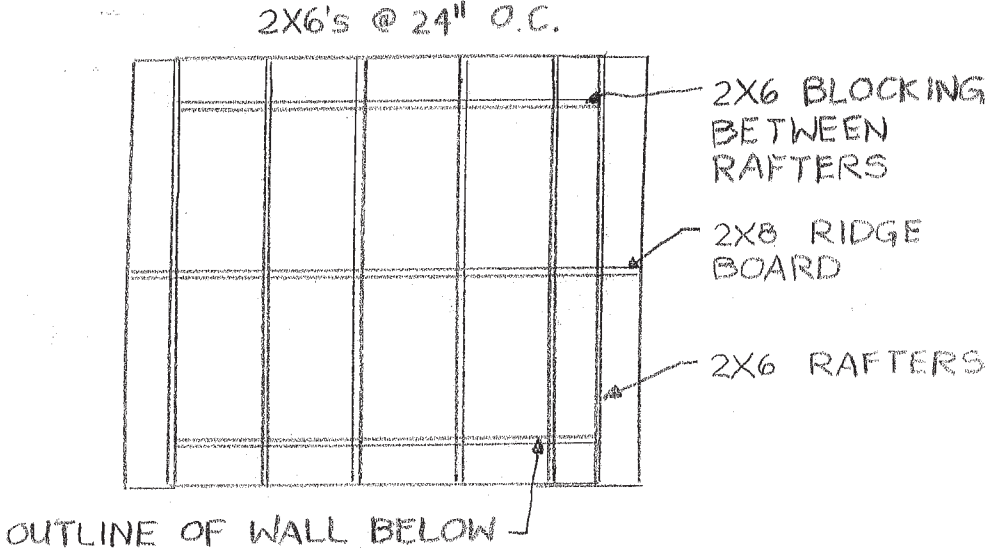
GABLE SHED PLAN



- NOTE:
1. VERIFY ALL ROUGH OPENINGS PRIOR TO CONSTRUCTION
 2. 2X4 STUD WALLS 24" O.C.

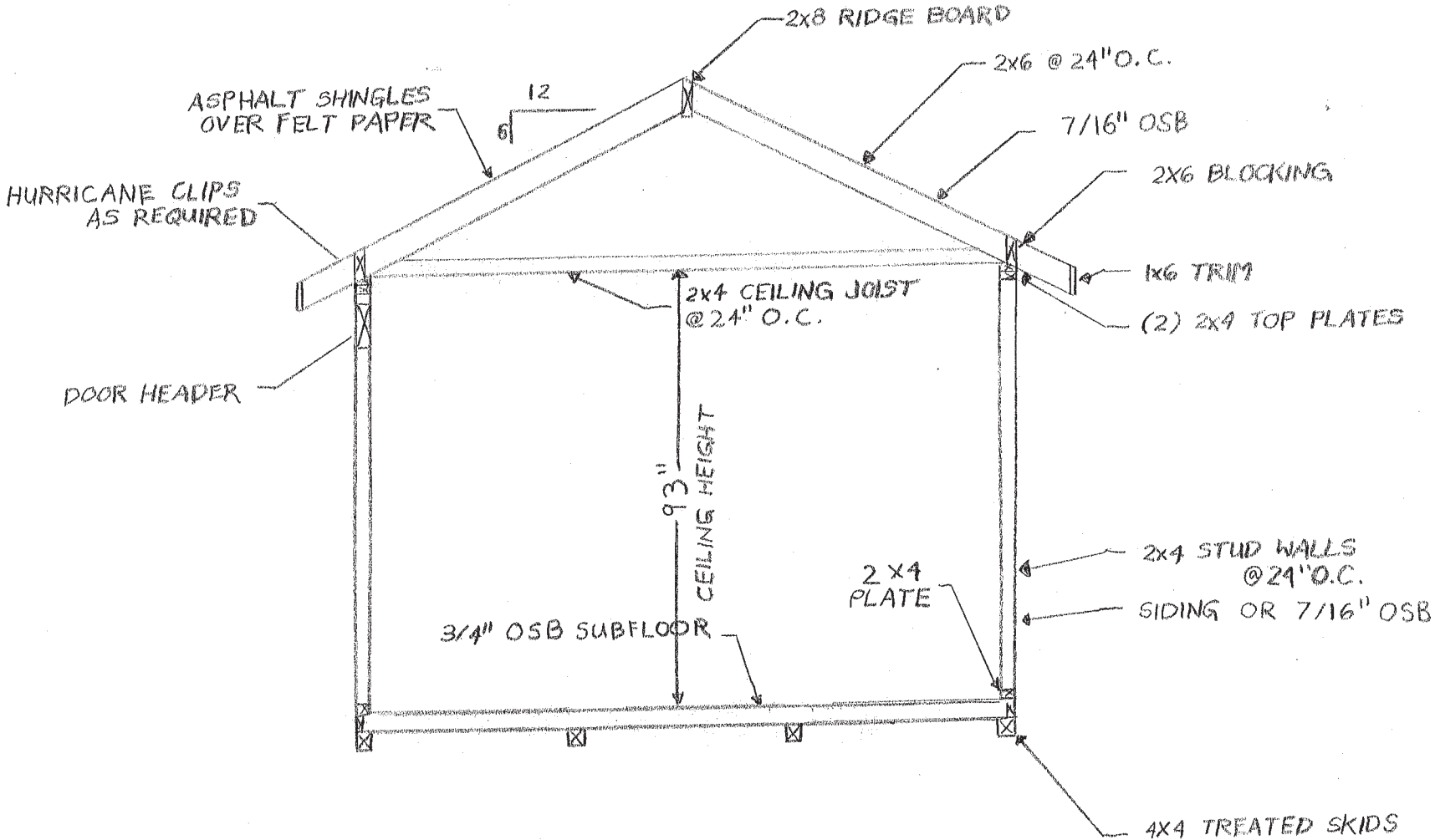
FLOOR PLAN

GABLE SHED PLAN



ROOF PLAN

GABLE SHED PLAN



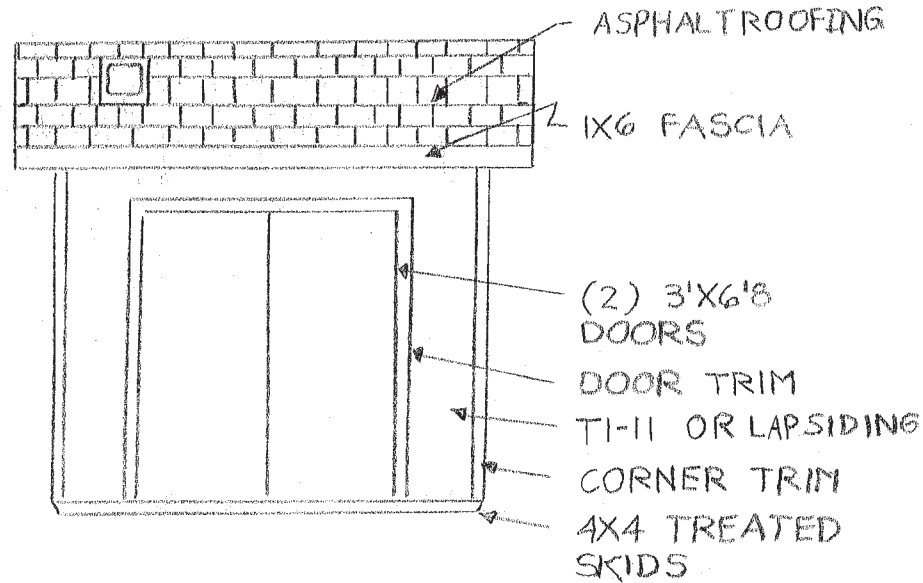
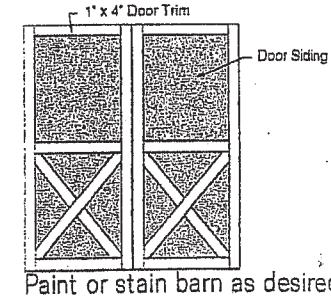
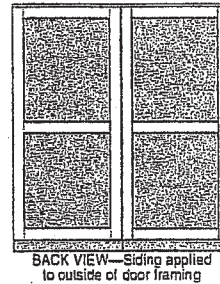
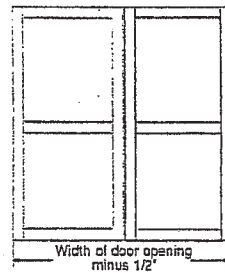
WALL SECTION

Measure the opening for the door. This measurement minus 1/2" equals the total combined width of the doors. Cut 2" x 4" framing for doors as shown.

Cut siding pieces for the doors the same width as the door frames and 4-1/2" longer. (For 8' wide frames, use the siding pieces cut from the front wall siding.) Apply to the outside of the door frames with 1" overhanging the top, 3-1/2" overhanging the bottom, and the sides flush, as shown. Nail in place with 8d galvanized nails or 1-5/8" weather-resistant screws.

Apply 1" x 4" trim to door as desired. See illustration for example.

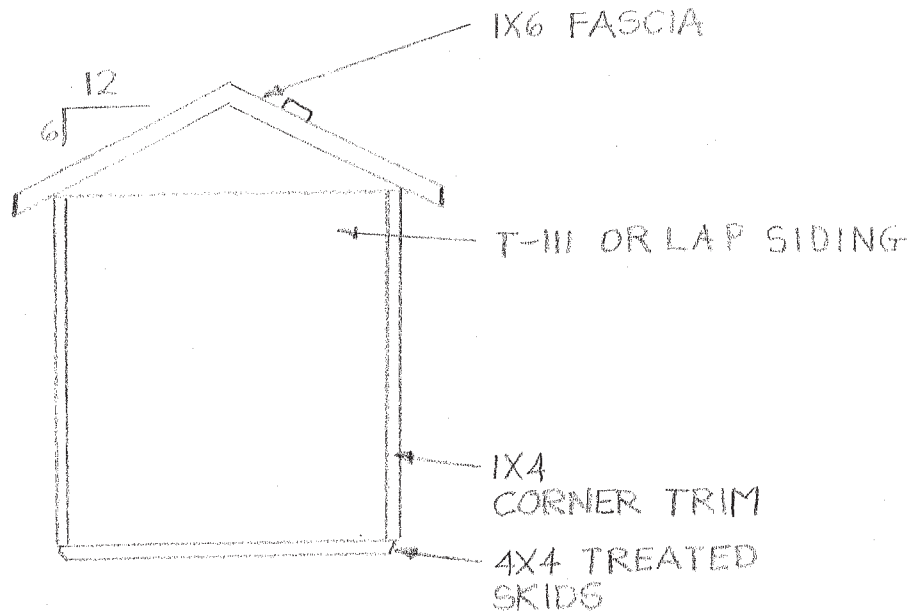
Attach hinges to doors, 12" from top and 12" from bottom of doors. Attach hasp at center of doors.



GABLE SHED PLAN

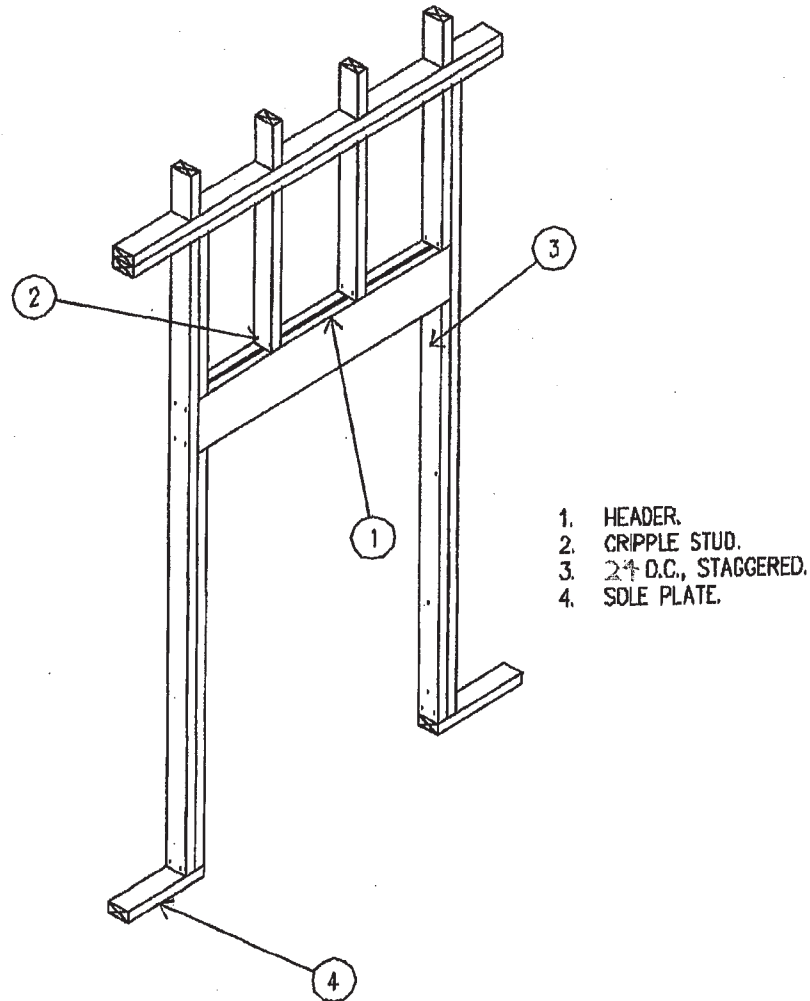
FRONT ELEVATION

GABLE SHED PLAN



RIGHT ELEVATION

GABLE SHED PLAN

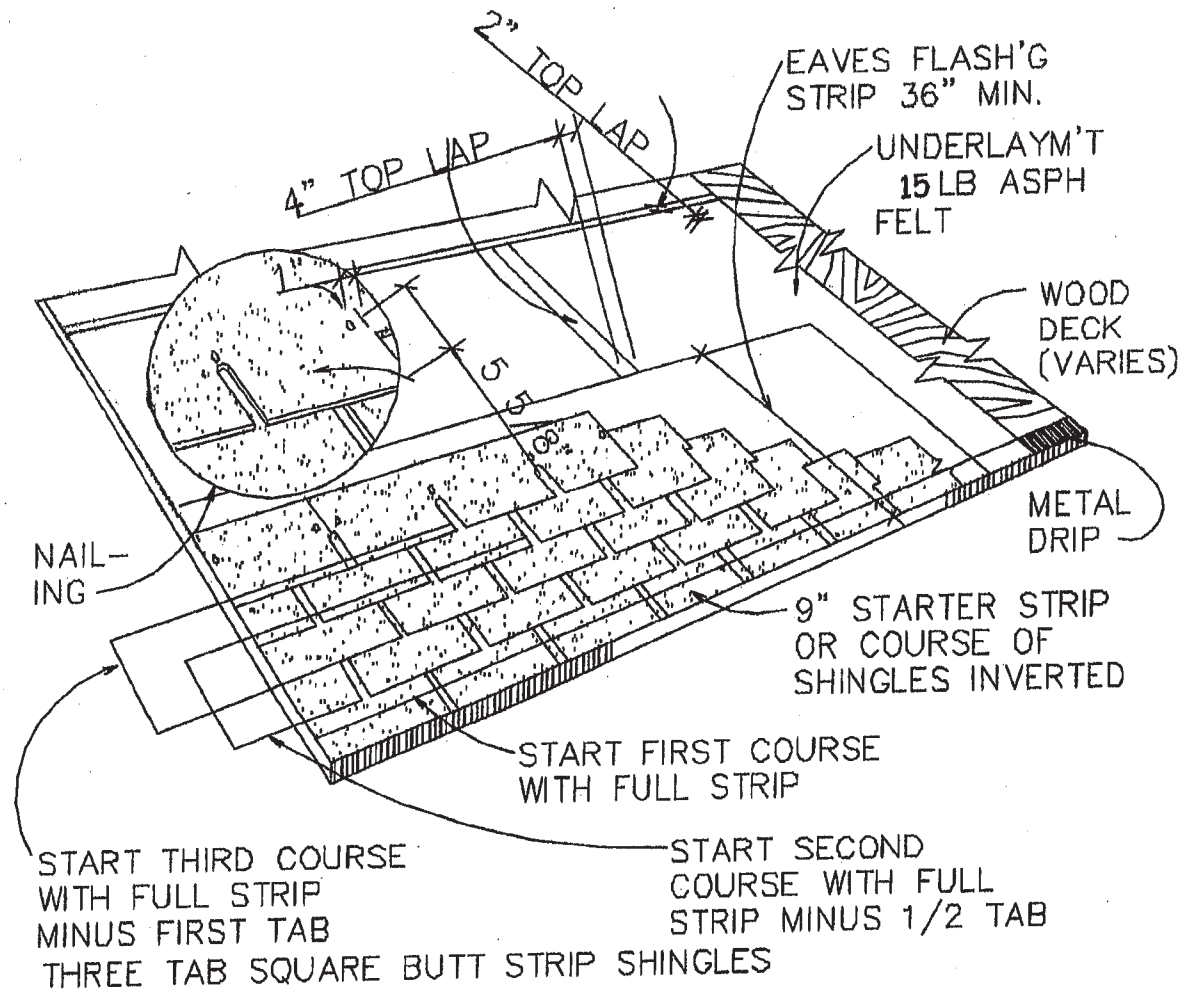


DOOR OPENING

N.T.S.

DETAIL

GABLE SHED PLAN

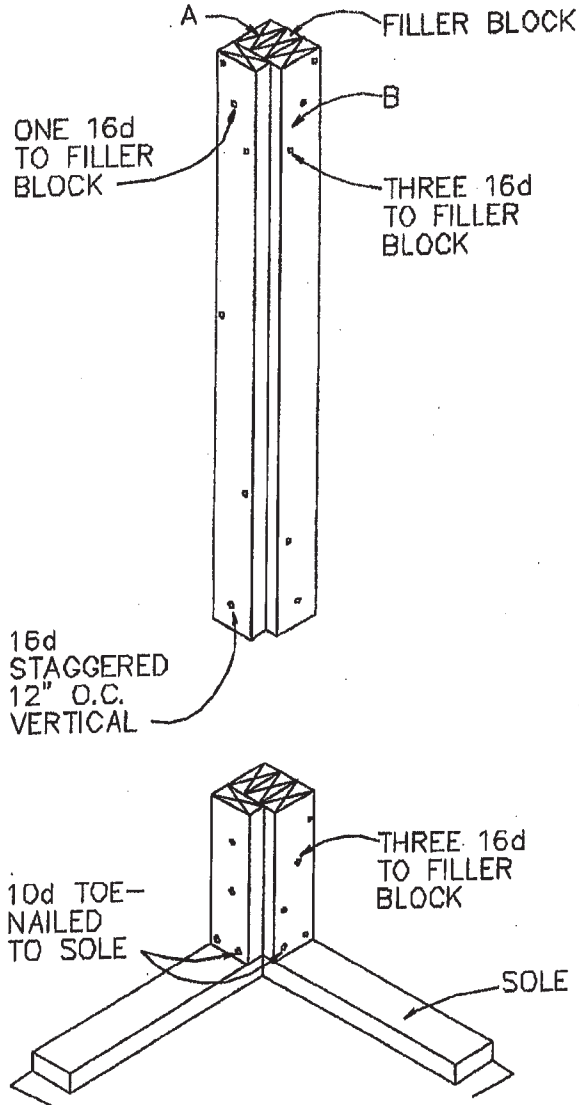


ROOFING LAYOUT

N.T.S.

DETAIL

GABLE SHED PLAN



CORNER FRAMING

N.T.S.

DETAIL