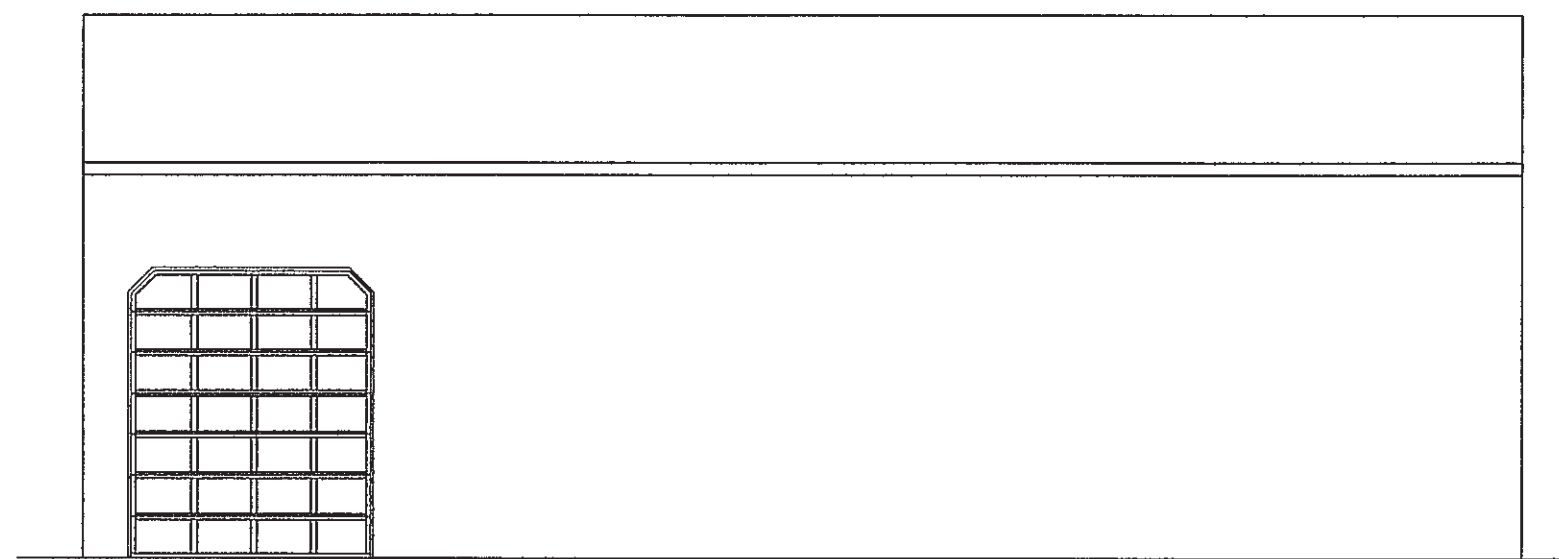
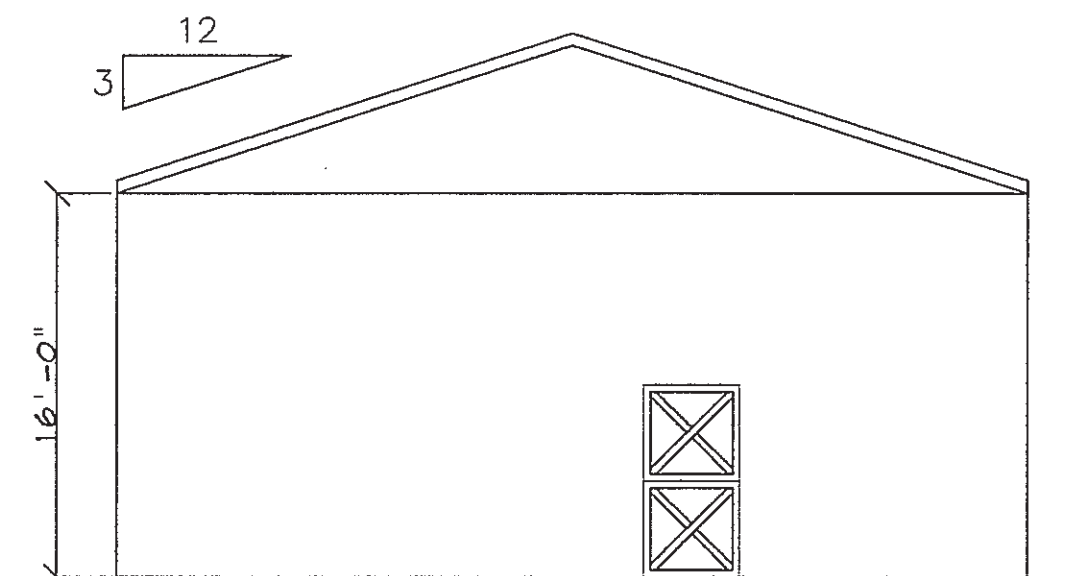


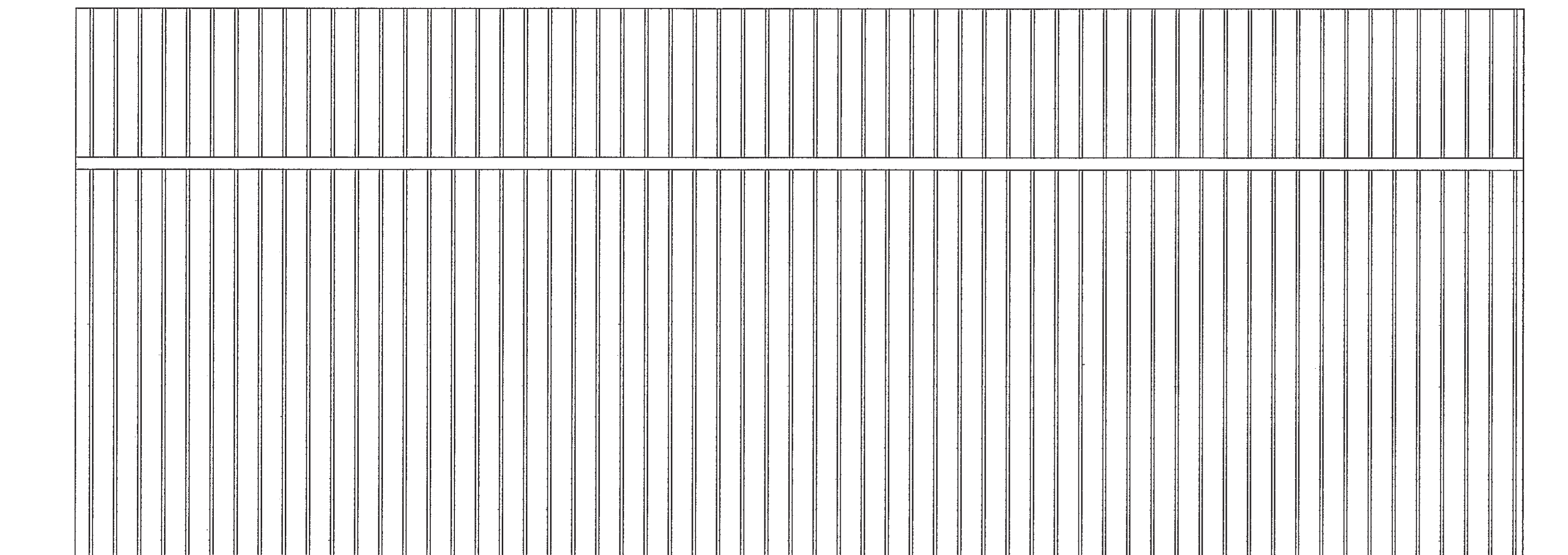
LEFT ELEV.  
SCALE ~ 1/8"=1'-0"



REAR ELEV.  
SCALE ~ 1/8"=1'-0"



RIGHT ELEV.  
SCALE ~ 1/8"=1'-0"



FRONT ELEV.  
SCALE ~ 1/4"=1'-0"



**Eatonville**  
388 Center St. E.  
PH: 360.832.3424  
FAX: 360.832.3454

**Buckley**  
28280 HWY 410 E.  
PH: 360.829.9049  
FAX: 360.829.4174

**Port Orchard**  
6100 Bethel Rd. E.  
PH: 360.876.2903  
FAX: 360.876.2924

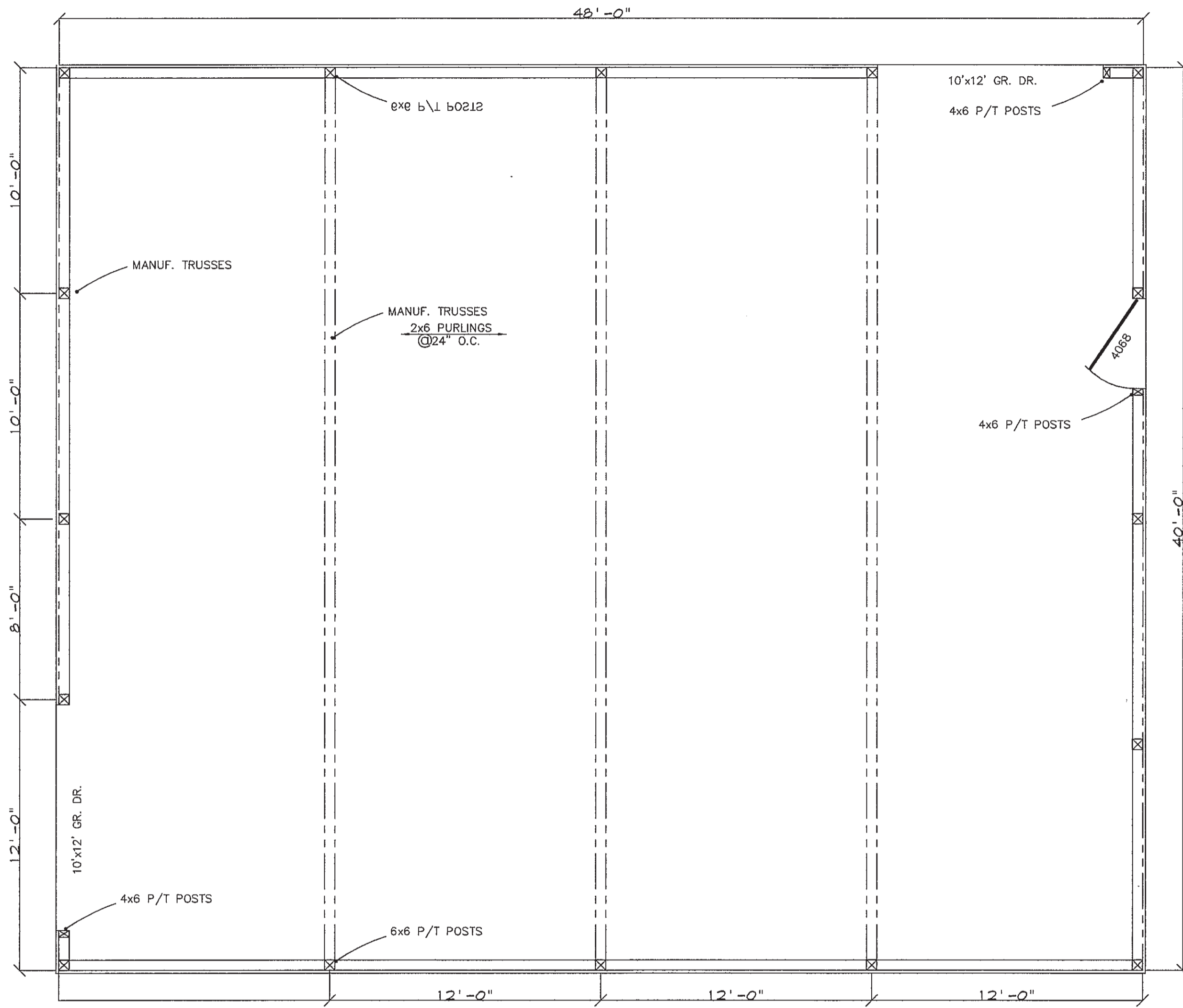
**Randle**  
105 Peters Cr. Rd.  
PH: 360.497.3511  
FAX: 360.497.7049

**Orting**  
201 Calistoga St. W.  
PH: 360.893.2200  
FAX: 360.893.2303

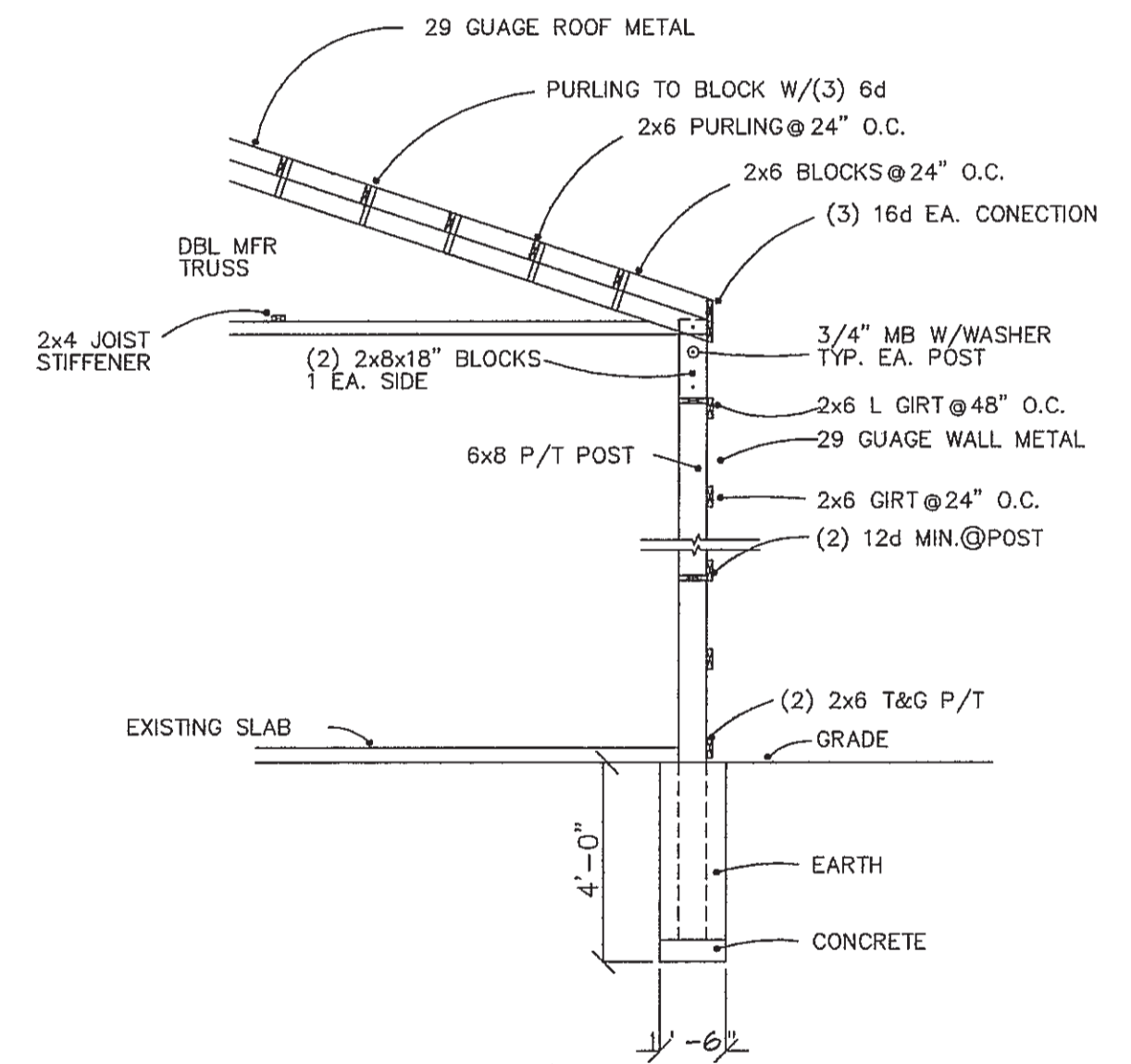
**Port Townsend**  
8457 SR 20  
PH: 360.385.9474  
FAX: 360.379.2872

**Plan**  
**4048PB16**

SHEET **2**  
OF **2** SHTS



FLOOR PLAN  
SCALE ~ 1/4"=1'-0"



TYP. SECTION  
SCALE ~ 1/4"=1'-0"



Eatonville  
388 Center St. E.  
PH: 360.832.3424  
FAX: 360.832.3454

Buckley  
28280 HWY 410 E.  
PH: 360.829.9049  
FAX: 360.829.4174

Port Orchard  
6100 Bethel Rd. E.  
PH: 360.876.2903  
FAX: 360.876.2924

Randle  
105 Peters Cr. Rd.  
PH: 360.497.3511  
FAX: 360.497.7049

Orting  
201 Calistoga St. W.  
PH: 360.893.2200  
FAX: 360.893.2303

Port Townsend  
8457 SR 20  
PH: 360.385.9474  
FAX: 360.379.2872

**Plan**  
**4048PB16**

SHEET ②  
OF ② SHTS